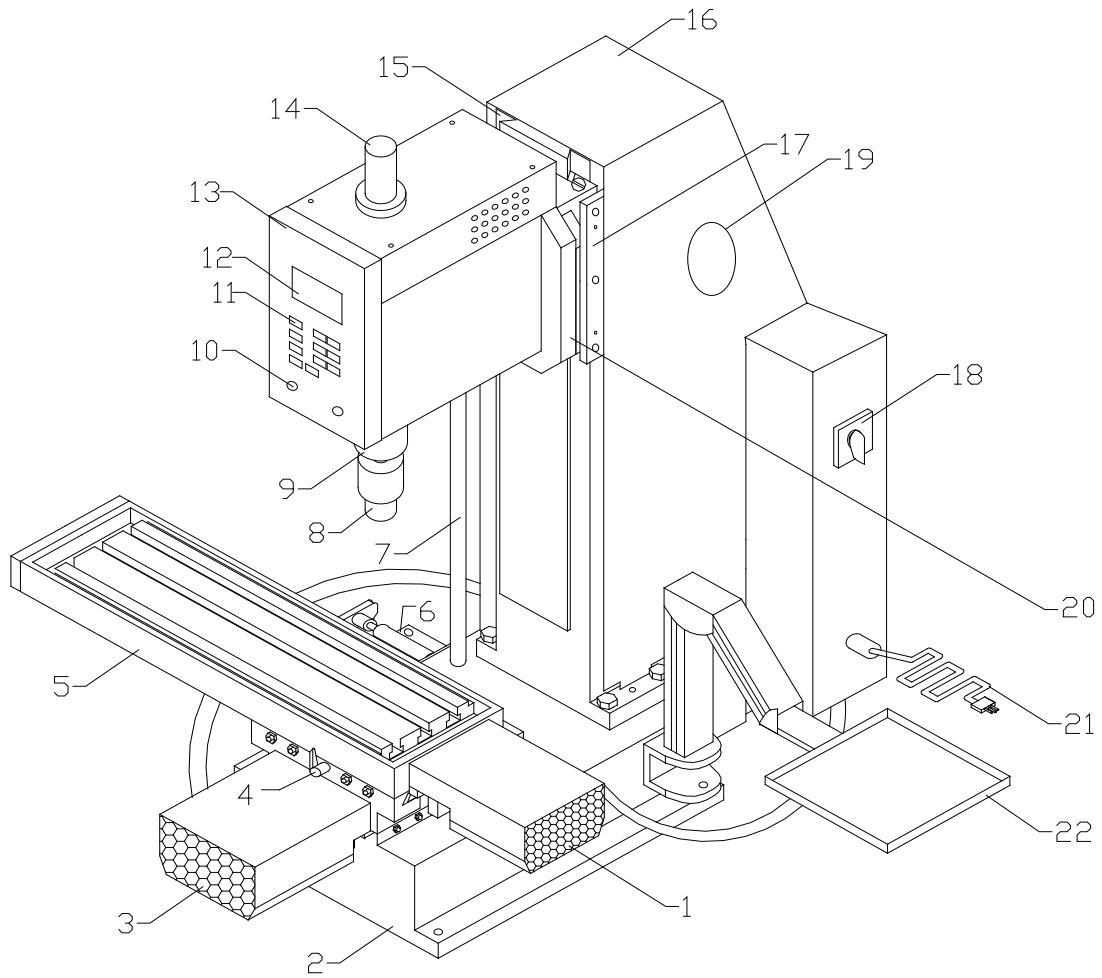
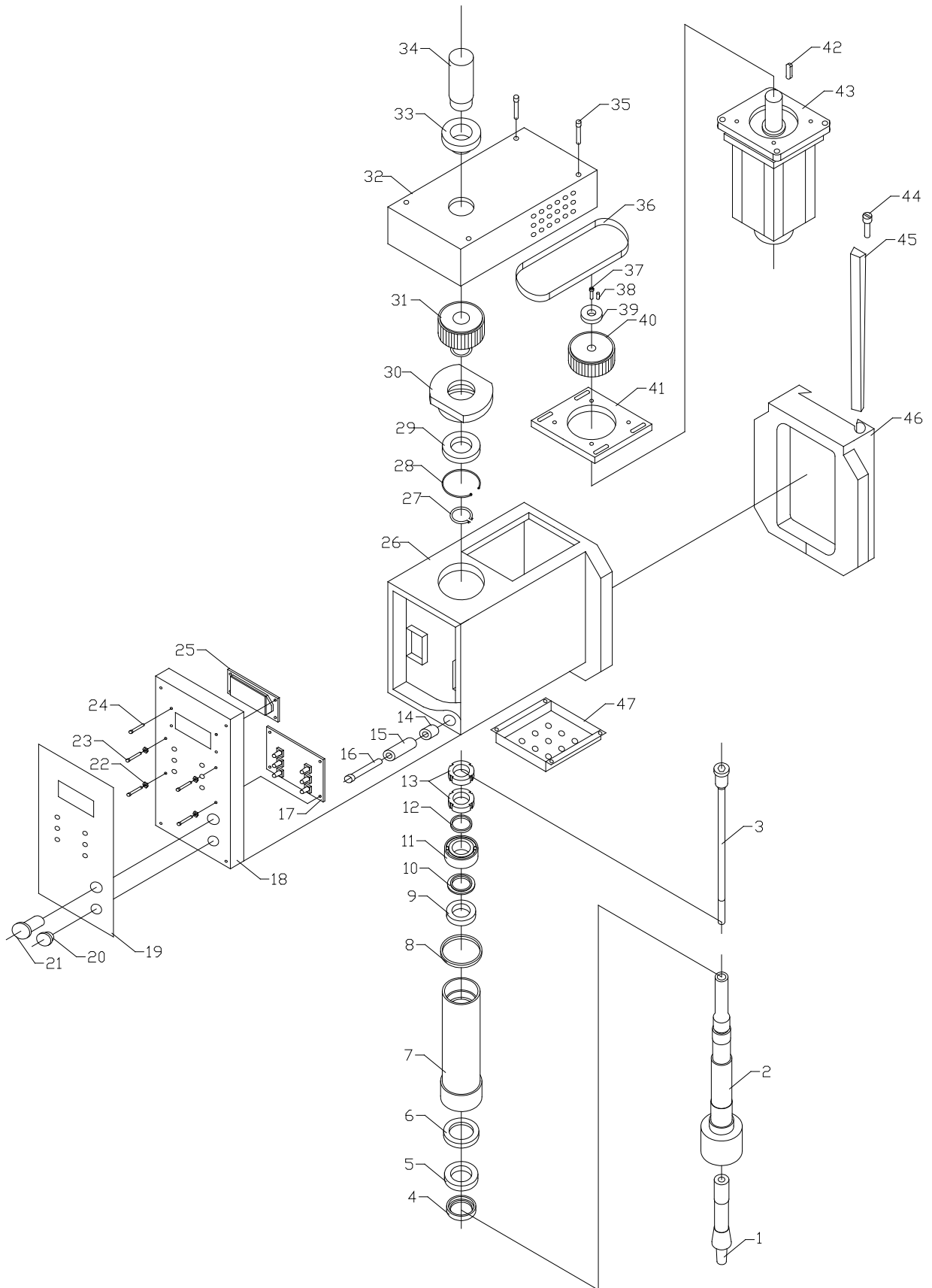


Feature

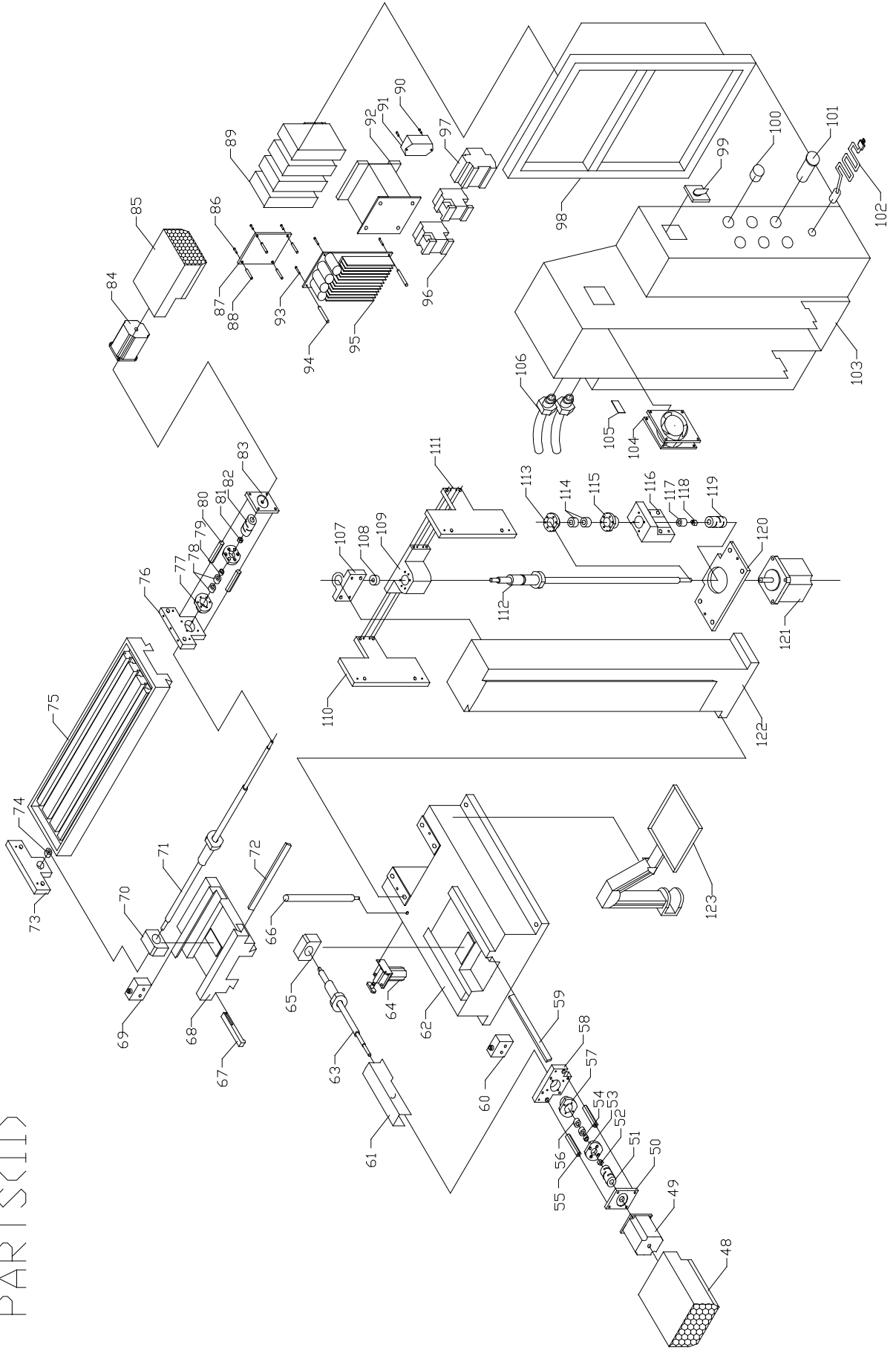


1	Cover for X axis motor	12	Rotate speed display
2	Base	13	Faceplate
3	Cover for Y axis motor	14	Protective cover
4	Lock handle	15	Fuselage
5	Worktable	16	Cover for fuselage
6	Lubricate system	17	Plywood
7	Gas springs	18	Power switch
8	Collet for milling or drilling	19	system fan
9	Principal axis	20	Rotate connect plate
10	Emergency stop switch	21	Power plug
11	Touch switch panel	22	Bracket for PC

PARTS(I)



PARTS(II)



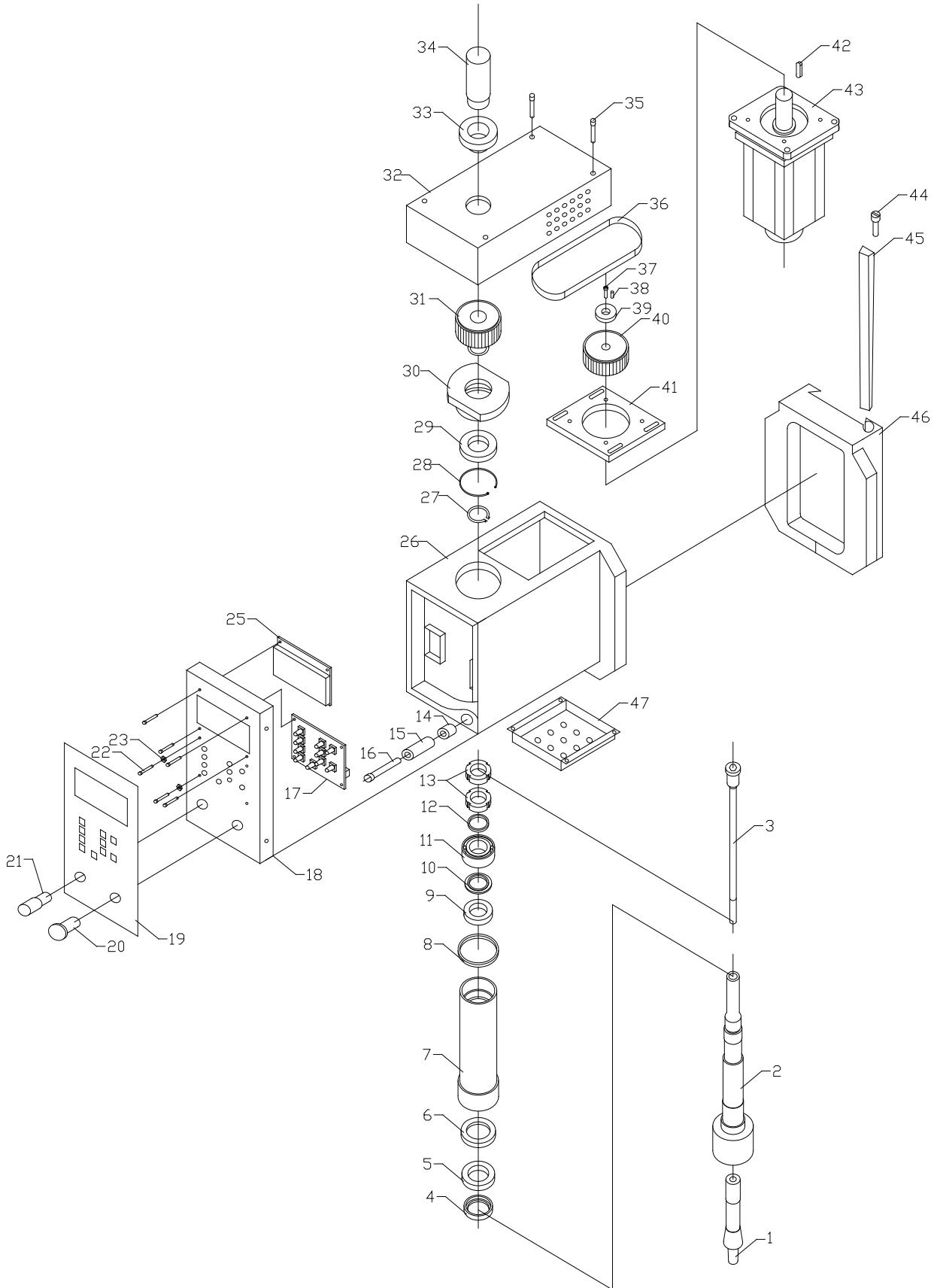
PART LIST

No.	Description	Q'ty	No.	Description	Q'ty
1	Traper shank	1	25	LED-board	1
2	Spindle	1	26	Spindle box	1
3	Lock bolt	1	27	Check ring 35	1
4	Under oil seal I	1	28	Check ring 65	1
5	Taper bearing	1	29	Bearing	1
6	Under oil seal II	1	30	Bearing seat	1
7	Spindle sleeve	1	31	Synchronization pulley	1
8	Sleeve limit pad	1	32	Spindle box cover	1
9	Bearing	1	33	Dustproof cover I	1
10	Under washer II	1	34	Dustproof cover II	1
11	Bearing	1	35	Hexagon socket cap head screws	4
12	Under washer I	1	36	Timing belt	1
13	Small round nut	2	37	Screm M16x10	1
14	Spingle peg sleeve I	1	38	Pin 3x10	1
15	Spingle peg sleeve II	1	39	Washer	1
16	Lock bolt	1	40	Motor timing pulley	1
17	Touch board	1	41	Verticality motor support	1
18	Switch panel	1	42	Key 5x25	1
19	surface mask	1	43	Brushless motor	1
20	Computer/manual spindle control switch	1	44	Adjusting screw	1
21	Emergency stop switch	1	45	Tilted wedge	1
22	Hex Nuts	4	46	Vertical slide	1
23	Bolt M4X30	4	47	Spindle box cover	1
24	Bolt M3X25	4	48	Cover for cross motor	1

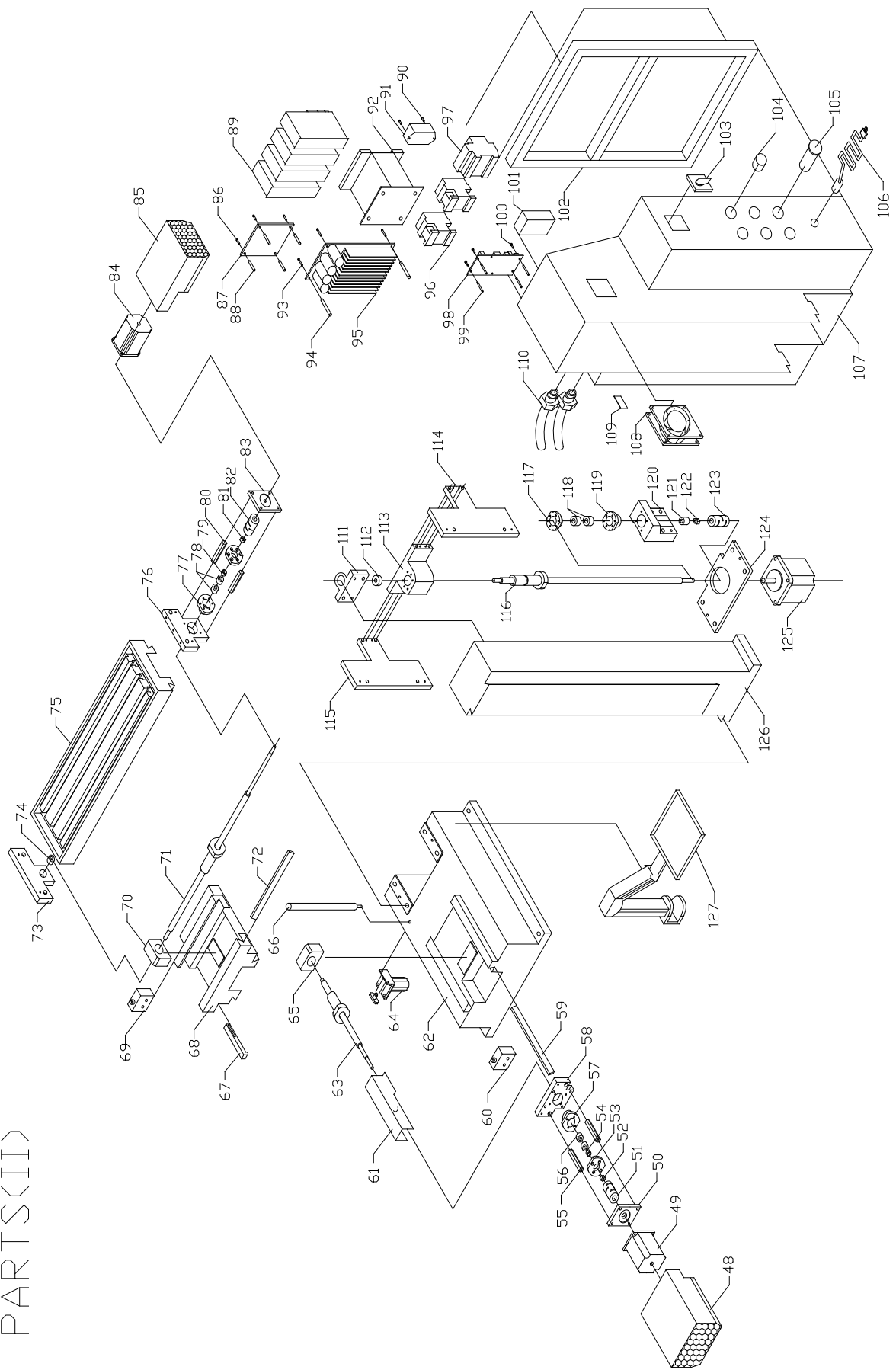
49	Cross step motor	1	75	Work table	1
50	Cross motor support plate	1	76	Portrait screw support	1
51	Cross coupling	1	77	Portrait bearing seat	1
52	Nut	1	78	Bearing	2
53	Cross bearing cover	1	79	Bush	1
54	Bush	1	80	Portrait motor support pole	4
55	Cross motor support pole	1	81	Nut	1
56	Bearing	2	82	Portrait coupling	1
57	Cross bearing seat	1	83	Portrait motor support plate	1
58	Cross screw support plate	1	84	Portrait step motor	1
59	Cross wedge	1	85	Cover for portriat motor	1
60	Limit switch I	1	86	Bolt M3x15	4
61	Cover for screw	1	87	Interface board	1
62	Base	1	88	Hexagon Copper Cylinder	4
63	Cross ball bearing screw	1	89	X、Y、Z、A motor driver	4
64	Petrol pump	1	90	Bolt M3x5	2
65	Seat for cross nut	1	91	Filter	1
66	Gas springs	1	92	Transformer	1
67	Limit block	1	93	Bolt M4x20	4
68	Saddle	1	94	Fixed rod	4
69	Limit switch II	1	95	Mainboard	1
70	Seat for portrait nut	1	96	Fuse	2
71	Portrait ball bearing screw	1	97	Leakage Protector	1
72	Portrait wedge	1	98	Trunking	1
73	Portrait bearing seat	1	99	Power switch	1
74	Bearing	1	100	Air Access Plug	5

101	Shell	1	113	Cross bearingcover	1
102	Power line	1	114	Bearing	2
103	Cortrol box	1	115	Verticality bearing seat	1
104	Cooling fan	1	116	Veticality screw support plate	1
105	Parallel port	1	117	Bush	1
106	Tube connecter	2	118	Nut	1
107	Verticality bearing seat	1	119	Verticality couping	1
108	Bearing	1	120	Verticalitu motor support plate	1
109	Seat for verticality nut	1	121	Verticality step motor	1
110	Side support plate I	1	122	Verticality lead rail	1
111	Side support plate II	1	123	Computer plank	1
112	Verticality ballbearing crew	1			

PARTS(I)



PARTS(II)



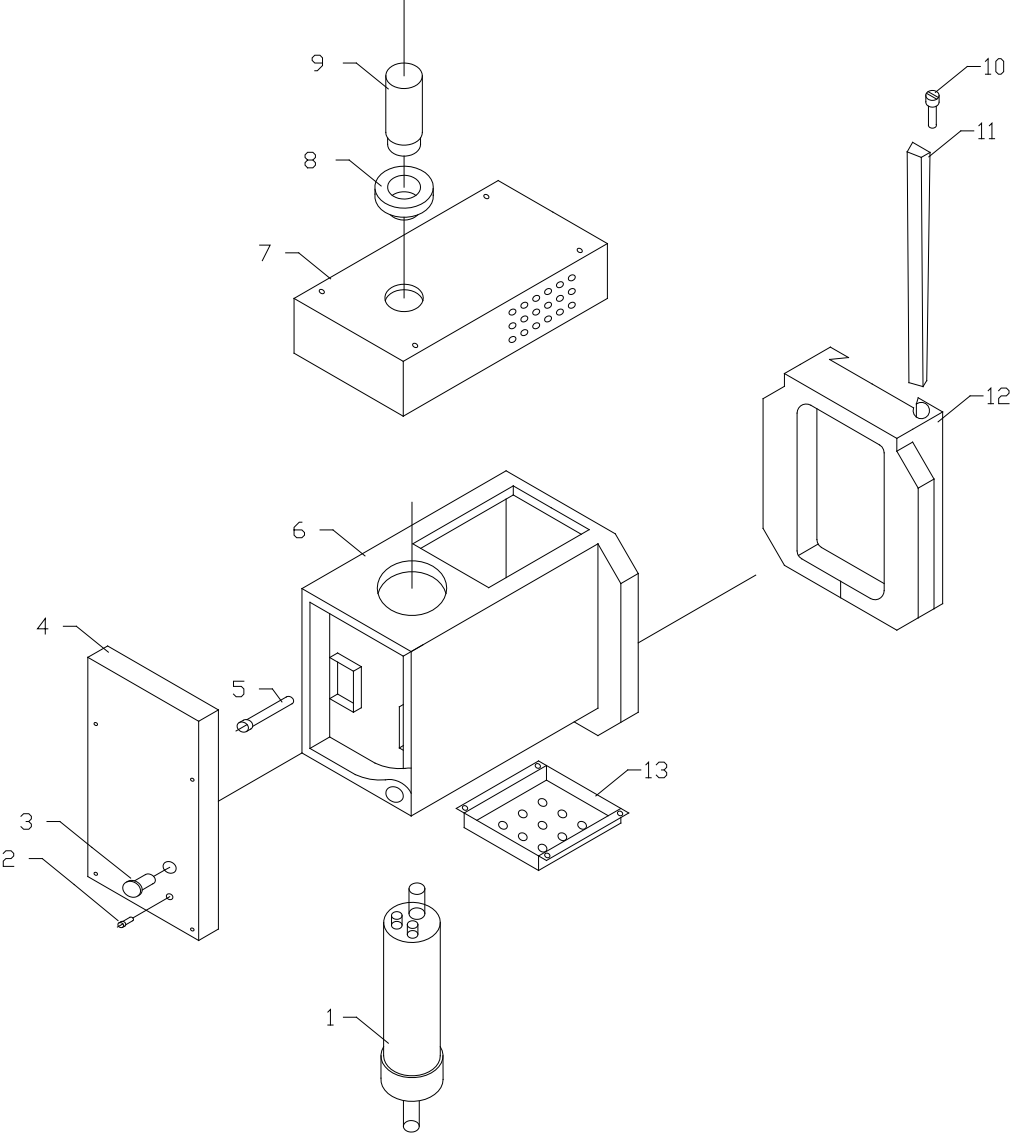
PART LIST

No.	Description	Q'ty	No.	Description	Q'ty
1	Traper shank	1	25	LED-board	1
2	Spindle	1	26	Spindle box	1
3	Lock bolt	1	27	Check ring 35	1
4	Under oil seal I	1	28	Check ring 65	1
5	Taper bearing	1	29	Bearing	1
6	Under oil seal II	1	30	Bearing seat	1
7	Spindle sleeve	1	31	Synchronization pulley	1
8	Sleeve limit pad	1	32	Spindle box cover	1
9	Bearing	1	33	Dustproof cover I	1
10	Under washer II	1	34	Dustproof cover II	1
11	Bearing	1	35	Hexagon socket cap head screws	4
12	Under washer I	1	36	Timing belt	1
13	Small round nut	2	37	Screm M16x10	1
14	Spingle peg sleeve I	1	38	Pin 3x10	1
15	Spingle peg sleeve II	1	39	Washer	1
16	Lock bolt	1	40	Motor timing pulley	1
17	Touch board	1	41	Verticality motor support	1
18	Switch panel	1	42	Key 5x25	1
19	surface mask	1	43	Brushless motor	1
20	Emergency stop switch	1	44	Adjusting screw	1
21	Potentiometer	1	45	Tilted wedge	1
22	Hex Nuts	4	46	Vertical slide	1
23	Bolt M4X30	4	47	Spindle box cover	1
24	Bolt M3X25	4	48	Cover for cross motor	1

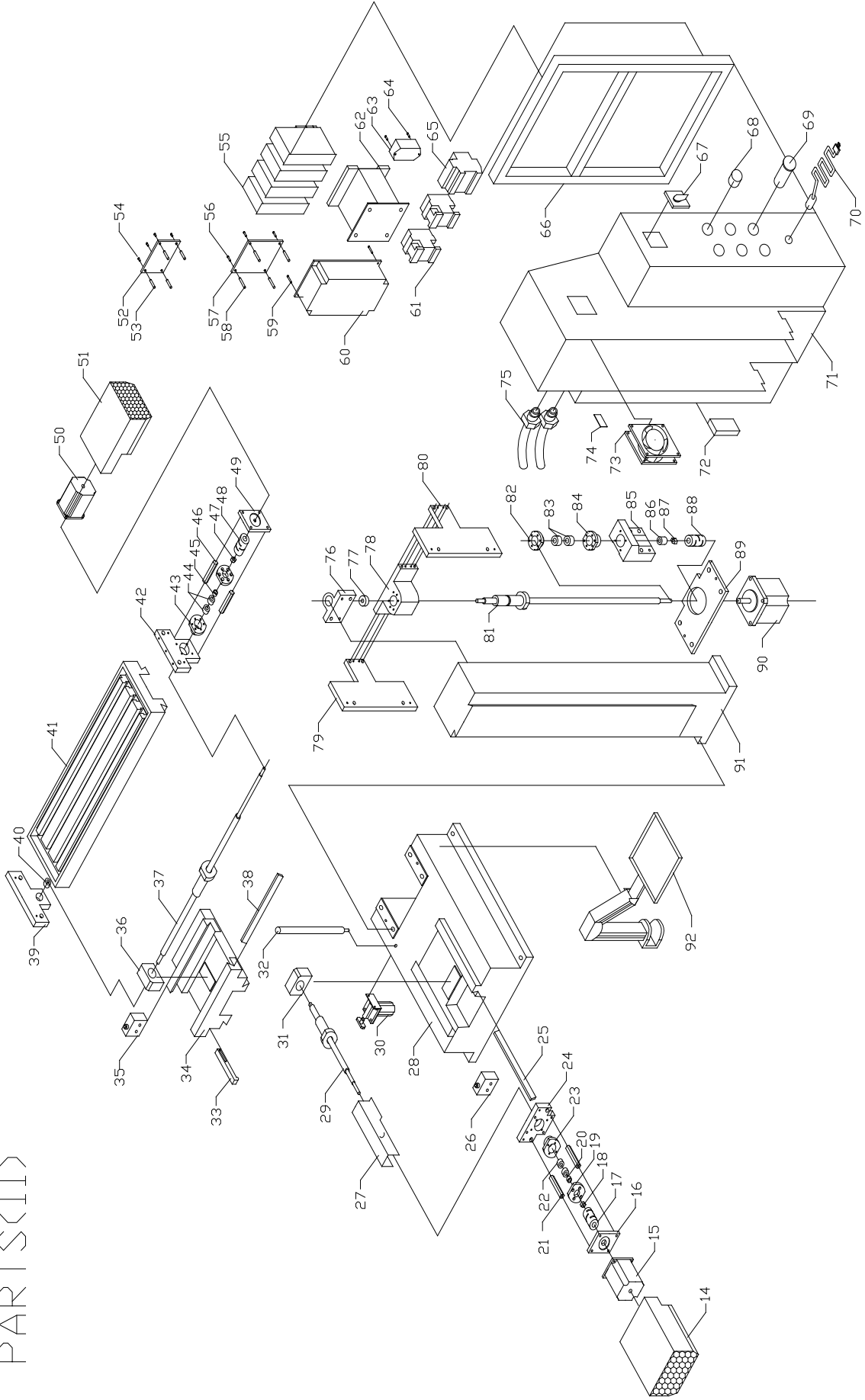
49	Cross step motor	1	75	Work table	1
50	Cross motor support plate	1	76	Portrait screw support	1
51	Cross coupling	1	77	Portrait bearing seat	1
52	Nut	1	78	Bearing	2
53	Cross bearing cover	1	79	Bush	1
54	Bush	1	80	Portrait motor support pole	4
55	Cross motor support pole	1	81	Nut	1
56	Bearing	2	82	Portrait coupling	1
57	Cross bearing seat	1	83	Portrait motor support plate	1
58	Cross screw support plate	1	84	Portrait step motor	1
59	Cross wedge	1	85	Cover for portriat motor	1
60	Limit switch I	1	86	Bolt M3x15	4
61	Cover for screw	1	87	Interface board	1
62	Base	1	88	Hexagon Copper Cylinder	4
63	Cross ball bearing screw	1	89	X、Y、Z、A motor driver	4
64	Petrol pump	1	90	Bolt M3x5	2
65	Seat for cross nut	1	91	Filter	1
66	Gas springs	1	92	Transformer	1
67	Limit block	1	93	Bolt M3x20	4
68	Saddle	1	94	Fixed rod M3X30	4
69	Limit switch II	1	95	Mainboard	1
70	Seat for portrait nut	1	96	Fuse	2
71	Portrait ball bearing screw	1	97	Leakage Protector	1
72	Portrait wedge	1	98	Interface board I	1
73	Portrait bearing seat	1	99	Fixed rod M3X20	1
74	Bearing	1	100	Bolt M3x10	5

101	Power supply	1	115	Side support plate II	1
102	Trunking	1	116	ballbearing crew	1
103	Power switch	1	117	Verticality bearing cover	1
104	Air Access Plug	5	118	Bearing	2
105	Shell	1	119	Verticality bearing seat	1
106	Power line	1	120	Verticality screw support plate	1
107	Control box	1	121	Bush	1
108	Cooling fan	1	122	Nut	1
109	Parallel port	1	123	Verticality coupling	1
110	Tube connector	1	124	Verticality motor support plate	1
111	Verticality bearing seat	1	125	Verticality step motor	1
112	Bearing	1	126	Verticality lead rail	1
113	Seat for verticality nut	1	127	Computer plank	1
114	Side support plate I	1			

PARTS(I)



PARTS(II)



ART LIST:

No.	Description	Q'ty	No.	Description	Q'ty
1	High speed Spindle	1	25	Cross wedge	1
2	Power LED	1	26	Limit switch I	1
3	Emergency stop switch	1	27	Cover for screw	1
4	Switch panel	1	28	Base	1
5	Spindle positioning screw	1	29	Cross ball bearing screw	1
6	Spindle box	1	30	Petrol pump	1
7	Spindle box cover	1	31	Seat for cross nut	1
8	Dustproof cover I	1	32	Gas springs	1
9	Dustproof cover II	1	33	Limit block	1
10	Adjusting screw	1	34	Saddle	1
11	Tilted wedge	1	35	Limit switch II	1
12	Vertical slide	1	36	Seat for portrait nut	1
13	Spindle box cover	1	37	Portrait ball bearing screw	1
14	Cover for cross motor	1	38	Portrait wedge	1
15	Cross step motor	1	39	Bearing	1
16	Cross motor support plate	1	40	Portrait bearing seat	1
17	Cross coupling	1	41	Work table	1
18	Nut	2	42	Portraitscrew support plate	4
19	Cross bearing cover	1	43	Portrait bearing seat	1
20	Bush	1	44	Bearing	2
21	Cross motor support pole	4	45	Bush	1
22	Bearing	2	46	Portrait motor support pole	1
23	Cross bearing seat	1	47	Nut	1
24	Cross screw support plate	1	48	Portrait coupling	1

49	Portrait motor support plate	1	71	Power line	1
50	Portrait step motor	1	72	Cortrol box	1
51	Cover for portriat motor	1	73	Inverter board button	1
52	Bolt M3x15	4	74	Cooling fan	1
53	Signal transform board	1	75	Parallel port	1
54	Fixed rod M3X25	4	76	Tube connecter	1
55	X、Y、Z、A motor driver	4	77	Verticality bearing seat	1
56	Interface board	1	78	Bearing	1
57	Fixed rod M3X35	4	79	Seat for verticality nut	1
58	Bolt M3x12	4	80	Side support plate II	1
59	Bolt M3x8	2	81	Side support plate I	1
60	Transducer	1	82	Ball bearing crew	1
61	Fuse	2	83	Verticality bearing cover	1
62	Transformer	1	84	Bearing	2
63	Filter	1	85	Verticality bearing seat	1
64	Bolt M3x5	2	86	Veticality screw support plate	1
65	Leakage Protector	1	87	Bush	1
66	Trunking	1	88	Nut	1
67	Power supply	1	89	Verticality coupling	1
68	Trunking	1	90	Verticalitu motor support plate	1
69	Power switch	1	91	Verticality step motor	1
70	Air Access Plug	5	92	Verticality lead rail	1