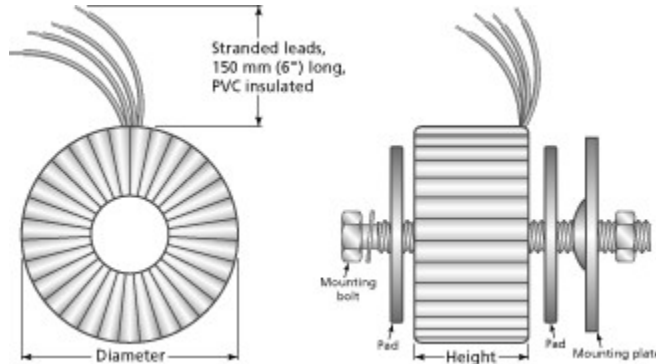


# Transformer Specifications

Load (VA)	Secondary Voltage (V)	Secondary Current (A)	Regulation (Typical)	Diameter (mm/ inches)	Height (mm/ inches)	Weight (Kg/Pounds)	Temperature Rise (° C)
250	30 + 30	4.17	6.4	113 / 4.5	50 / 2.0	2.2 / 4.9	52



## Transformer Mounting Specifications

Mounting Plate  
90 mm dia. x 1 mm thick (3.6" dia. x .04" thick)

Bolt  
M6 x 60mm

## Transformer Connections

Note: Windings may be connected in parallel or in series. If they are isolated from each other, the applied potential between them must not exceed 250VDC.

