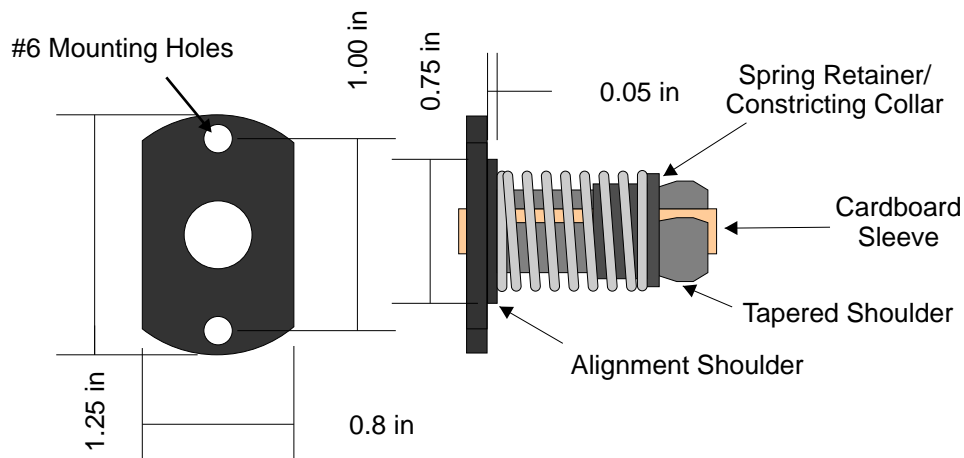


# FireBall V90 Anti-backlash Nuts



The anti-backlash nuts have a cardboard sleeve inserted in them that prevents the threads from compressing and allowing the spring retainer collar to slip over the tapered shoulder. Leave the cardboard sleeve in place and allow the screw to push it out as you thread in the acme screw.

If the spring retainer happens to come off the end of the nut, remove the entire nut and reassemble it like in this picture before trying to thread in the acme screw.

## Retrofit Instructions

- 1) The new nuts will have a cardboard sleeve in them - leave the sleeve in.
- 2) First remove the old nuts.
- 3) Insert the new nuts. The alignment shoulder will keep them centered over the hole.
- 4) Mark the mounting holes with a center punch.
- 5) Remove the nuts and drill & tap holes for #6-32 screws about .75" deep.
- 6) Insert the the nuts again.
- 7) Screw in the screws in, but don't overtighten them
- 8) Thread in the acme screws - this will push out the cardboard sleeve. Save the cardboard sleeves for future use.